

B AC Motors

Reversible Motor 15W(□80mm)

15W Reversible Motor 15W(□80mm)

Motor Specification

Model		Output W	Voltage V	Frequency Hz	Poles	Duty	Starting Torque		Rated Load				Capacitor μF / VAC
8RDG*-15□(-T): Gear Type Shaft 8RDD*-15(-T): D-Cut Type Shaft	Lead Wire Type						Terminal Box Type	kgfcm	N.m	Speed r/min	Current A	Torque kgfcm N.m	
8RDGA-15□	8RDGA-15□-T	15	1φ110	60	4	30min.	1.55	0.155	1600	0.44	1.20	0.120	6.0 / 250
8RDGD-15□	8RDGD-15□-T	15	1φ220	60	4	30min.	1.50	0.150	1600	0.25	1.00	0.100	1.5 / 450
8RDGE-15□	8RDGE-15□-T	15	1φ220	50	4	30min.	1.25	0.125	1200	0.16	1.30	0.130	1.5 / 450
			1φ240				1.45	0.145		0.17	1.40	0.140	

1) Enter the phase & voltage code in the place * and enter the model type of attaching Gearbox in the box (□) within the motor model name.

2) All models contain a built-in thermal protector.

3) Gear Type Shaft is for attaching Gearbox and D-Cut Type Shaft is for using motor only.

Max. Permissible Torque at Output Shaft of Gearbox

60Hz

Motor Model	Gearbox Model	Gear Ratio	3	3.6	5	6	7.5	9	12.5	15	18	25	30	36	40	50	60	75	90	100	120	150	180
			r/min	600	500	360	300	240	200	144	120	100	72	60	50	45	36	30	24	20	18	15	12
8RDG□-15G	8GBK□BMH	kgfcm	3.0	3.6	5.0	6.0	7.5	9.0	12.5	14.9	17.9	22.5	27.0	29.4	32.6	40.8	49.0	61.2	73.4	80.0	80.0	80.0	80.0
		N.m	0.29	0.35	0.49	0.59	0.73	0.88	1.22	1.46	1.76	2.21	2.65	2.88	3.20	4.00	4.80	6.00	7.20	7.84	7.84	7.84	7.84

Motor Model	Gearbox Model	Gear Ratio	200	250	300	360	Motor Model	Gearbox Model	Gear Ratio	10	12	15	18	25	30	36	50	60
			r/min	9	7	6				5	r/min	180	150	120	100	72	60	50
8RDG□-15G	8GBK□BMH	kgfcm	80.0	80.0	80.0	80.0	8RDG□-15W	8WD□BL/□BR/□BRL	kgfcm	9.8	11.5	13.9	16.0	21.0	23.8	27.6	36.0	39.6
		N.m	7.84	7.84	7.84	7.84			N.m	0.96	1.13	1.36	1.57	2.06	2.33	2.71	3.53	3.88

50Hz

Motor Model	Gearbox Model	Gear Ratio	3	3.6	5	6	7.5	9	12.5	15	18	25	30	36	40	50	60	75	90	100	120	150	180
			r/min	500	417	300	250	200	167	120	100	83	60	50	42	38	30	25	20	17	15	13	10
8RDG□-15G	8GBK□BMH	kgfcm	3.5	4.2	5.8	7.0	8.7	10.5	14.5	17.4	20.9	26.3	31.5	34.3	38.1	47.6	57.1	71.4	80.0	80.0	80.0	80.0	80.0
		N.m	0.34	0.41	0.57	0.68	0.85	1.02	1.42	1.71	2.05	2.57	3.09	3.36	3.73	4.66	5.60	7.00	7.84	7.84	7.84	7.84	7.84

Motor Model	Gearbox Model	Gear Ratio	200	250	300	360	Motor Model	Gearbox Model	Gear Ratio	10	12	15	18	25	30	36	50	60
			r/min	7	6	5				5	r/min	150	125	100	83	60	50	42
8RDG□-15G	8GBK□BMH	kgfcm	80.0	80.0	80.0	80.0	8RDG□-15W	8WD□BL/□BR/□BRL	kgfcm	11.5	13.4	16.2	18.6	24.5	27.7	32.3	42.0	46.2
		N.m	7.84	7.84	7.84	7.84			N.m	1.13	1.32	1.58	1.83	2.40	2.72	3.16	4.12	4.53

1) Enter the phase & voltage code in the box (□) within the motor model name.

2) Enter the gear ratio in the box (□) within the Gearbox model name.

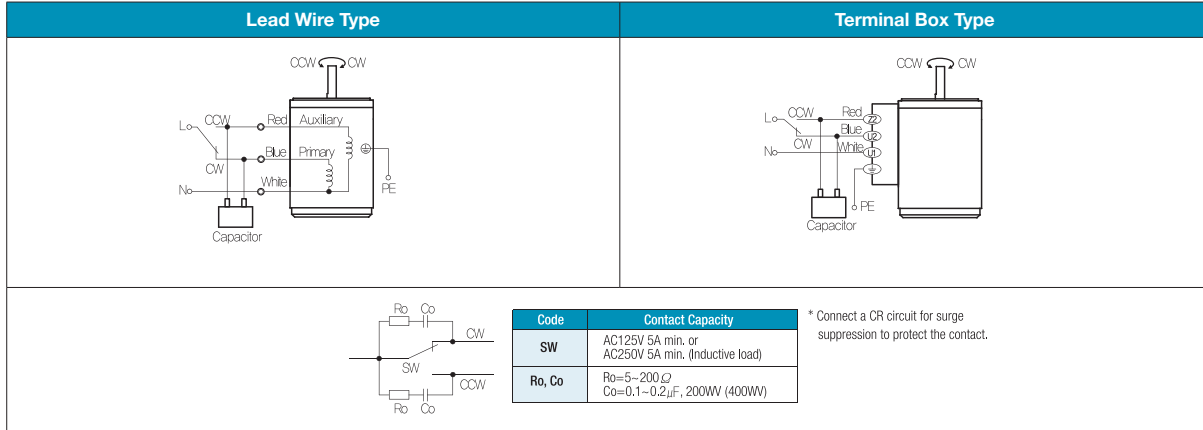
3) A colored background indicates gear shaft rotation in the same direction as the motor shaft; a white background indicates rotation in the opposite direction.

4) The rotating speed is calculated by dividing the motor's synchronous speed (50Hz: 1,500r/min, 60Hz: 1,800r/min) by the gear ratio. The actual speed is 2~20% less than the displayed value, depending on the size of the load.

B AC Motors

Reversible Motor 15W(□80mm)

Connection Diagrams



- 1) The direction of motor rotation is as viewed from the shaft end of the motor.
- 2) CW represents the clockwise direction, while CCW represents the counterclockwise direction.
- 3) During operation it is available to change the rotating direction by turning the switch to CW or CCW.