

15W

Speed Control
Induction Motor
15W(□80mm)

Motor Specification

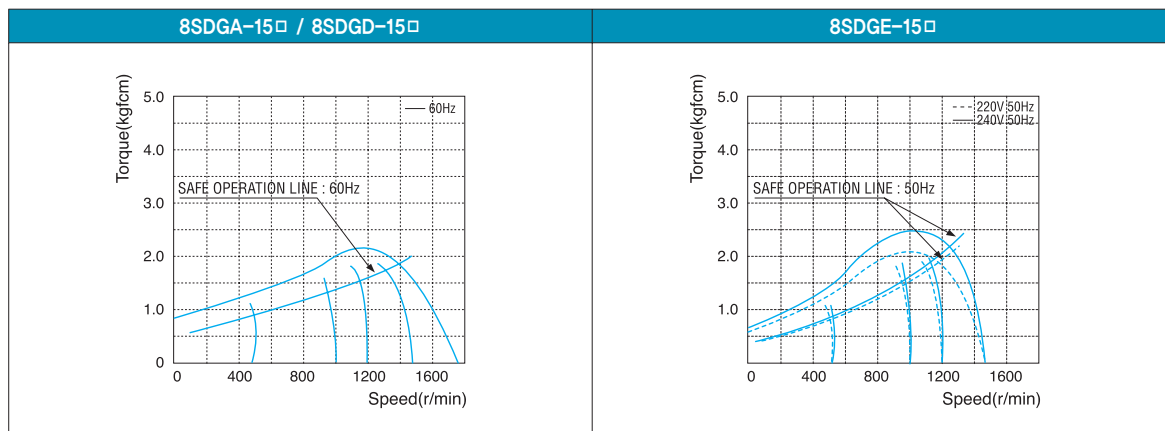
Model 8SDG*-15□: Gear Type Shaft 8SDD*-15: D-Cut Type Shaft	Output W	Voltage V	Frequency Hz	Poles	Duty	Speed Range r/min	Starting Torque		Permissible Torque				Capacitor μF / VAC
							kgfcm	N.m	1200r/min		90r/min		
									kgfcm	N.m	kgfcm	N.m	
8SDGA-15□	15	1φ110	60	4	Cont.	90-1700	0.70	0.070	1.50	0.150	0.35	0.035	3.5 / 450
8SDGD-15□	15	1φ220	60	4	Cont.	90-1700	0.85	0.085	1.50	0.150	0.35	0.035	1.2 / 450
8SDGE-15□	15	1φ220	50	4	Cont.	90-1400	0.75	0.075	1.20	0.120	0.35	0.035	1.0 / 450
		1φ240					0.85	0.085	1.40	0.140	0.35	0.035	

1) Enter the phase & voltage code in the place * and enter the model type of attaching Gearbox in the box (□) within the motor model name.

2) All models contain a built-in thermal protector.

3) Gear Type Shaft are for attaching Gearbox and D-Cut Type Shaft are for using motor only.

Speed-Torque Characteristics



Max. Permissible Torque at Output Shaft of Gearbox

Motor Model	Gearbox Model	r/min	V	Hz	Gear Ratio	3	3.6	5	6	7.5	9	12.5	15	18	25	30	36	40	50	60
8SDG□ -15G	8GBK□ BMH	1200	110	60	kgfcm	3.7	4.5	6.2	7.5	9.3	11.2	15.6	18.7	22.4	28.1	33.8	36.7	40.8	51.0	61.2
					N.m	0.37	0.44	0.61	0.73	0.92	1.10	1.53	1.83	2.20	2.76	3.31	3.60	4.00	5.00	6.00
			220	60	kgfcm	3.7	4.5	6.2	7.5	9.3	11.2	15.6	18.7	22.4	28.1	33.8	36.7	40.8	51.0	61.2
					N.m	0.37	0.44	0.61	0.73	0.92	1.10	1.53	1.83	2.20	2.76	3.31	3.60	4.00	5.00	6.00
			220/ 240	50	kgfcm	3.5	4.2	5.8	7.0	8.7	10.5	14.5	17.4	20.9	26.3	31.5	34.3	38.1	47.6	57.1
					N.m	0.34	0.41	0.57	0.68	0.85	1.02	1.42	1.71	2.05	2.57	3.09	3.36	3.73	4.66	5.60
		90	110	60	kgfcm	0.9	1.0	1.5	1.7	2.2	2.6	3.6	4.4	5.2	6.6	7.9	8.6	9.5	11.9	14.3
					N.m	0.09	0.10	0.14	0.17	0.21	0.26	0.36	0.43	0.51	0.64	0.77	0.84	0.93	1.17	1.40
			220	60	kgfcm	0.9	1.0	1.5	1.7	2.2	2.6	3.6	4.4	5.2	6.6	7.9	8.6	9.5	11.9	14.3
					N.m	0.09	0.10	0.14	0.17	0.21	0.26	0.36	0.43	0.51	0.64	0.77	0.84	0.93	1.17	1.40
			220/ 240	50	kgfcm	0.9	1.0	1.5	1.7	2.2	2.6	3.6	4.4	5.2	6.6	7.9	8.6	9.5	11.9	14.3
					N.m	0.09	0.10	0.14	0.17	0.21	0.26	0.36	0.43	0.51	0.64	0.77	0.84	0.93	1.17	1.40

B AC Motors

S.C. Induction Motor 15W (□80mm)

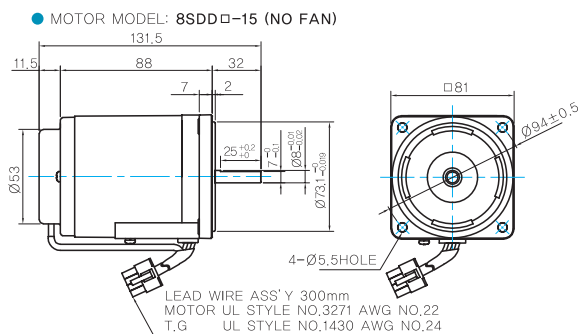
Max. Permissible Torque at Output Shaft of Gearbox

Motor Model	Gearbox Model	r/min	V	Hz	Gear Ratio	75	90	100	120	150	180	200	250	300	360	10	12	15	18	25	30	36	50	60	
8SDG□ -15G	8GBK□ BMH	1200	110	60	kgfcm	76.5	80.0	80.0	80.0	80.0	80.0	80.0	80.0	80.0	80.0	12.3	14.4	17.3	20.0	26.3	29.7	34.6	45.0	49.5	
					N.m	7.50	7.84	7.84	7.84	7.84	7.84	7.84	7.84	7.84	7.84	7.84	7.84	1.21	1.41	1.70	1.96	2.57	2.91	3.39	4.41
			220	60	kgfcm	76.5	80.0	80.0	80.0	80.0	80.0	80.0	80.0	80.0	80.0	80.0	80.0	12.5	14.9	18.7	22.4	31.1	37.4	44.8	62.3
		N.m	7.50	7.84	7.84	7.84	7.84	7.84	7.84	7.84	7.84	7.84	7.84	7.84	7.84	1.22	1.46	1.83	2.20	3.05	3.66	4.39	6.10	7.32	
		220/ 240	50	kgfcm	71.4	80.0	80.0	80.0	80.0	80.0	80.0	80.0	80.0	80.0	80.0	80.0	11.5	13.4	16.2	18.6	24.5	27.7	32.3	42.0	46.2
		N.m	7.00	7.84	7.84	7.84	7.84	7.84	7.84	7.84	7.84	7.84	7.84	7.84	7.84	1.13	1.32	1.58	1.83	2.40	2.72	3.16	4.12	4.53	
90	110	60	kgfcm	17.9	21.4	23.8	28.6	35.7	42.8	42.7	53.4	64.1	76.9	2.9	3.4	4.0	4.7	6.1	6.9	8.1	10.5	11.6			
			N.m	1.75	2.10	2.33	2.80	3.50	4.20	4.18	5.23	6.28	7.53	0.28	0.33	0.40	0.46	0.60	0.68	0.79	1.03	1.13			
	220	60	kgfcm	17.9	21.4	23.8	28.6	35.7	42.8	42.7	53.4	64.1	76.9	2.9	3.4	4.0	4.7	6.1	6.9	8.1	10.5	11.6			
N.m	1.75	2.10	2.33	2.80	3.50	4.20	4.18	5.23	6.28	7.53	0.28	0.33	0.40	0.46	0.60	0.68	0.79	1.03	1.13						
220/ 240	50	kgfcm	17.9	21.4	23.8	28.6	35.7	42.8	42.7	53.4	64.1	76.9	2.9	3.4	4.0	4.7	6.1	6.9	8.1	10.5	11.6				
N.m	1.75	2.10	2.33	2.80	3.50	4.20	4.18	5.23	6.28	7.53	0.28	0.33	0.40	0.46	0.60	0.68	0.79	1.03	1.13						

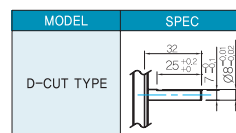
- 1) Enter the phase & voltage code in the box (□) within the motor model name. 2) Enter the gear ratio in the box (□) within the Gearbox model name.
 3) A colored background indicates gear shaft rotation in the same direction as the motor shaft; a white background indicates rotation in the opposite direction.
 4) The rotating speed is calculated by dividing the motor's synchronous speed (50Hz: 1,500r/min, 60Hz: 1,800r/min) by the gear ratio.
 The actual speed is 2~20% less than the displayed value, depending on the size of the load.

Dimensions

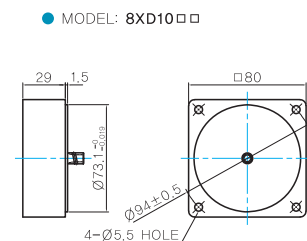
MOTOR ONLY



MOTOR OUTPUT SHAFT

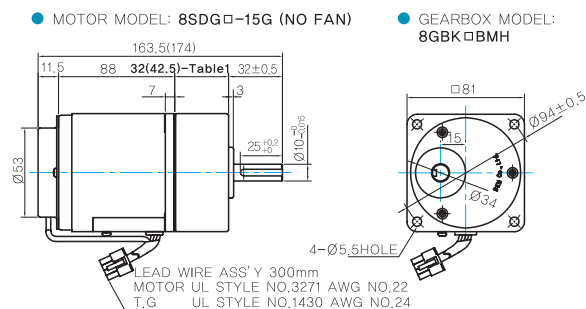


INTER-DECIMAL GEARBOX

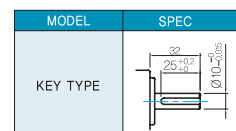


GEARED MOTOR

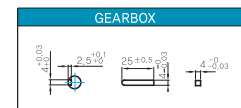
G TYPE GEARBOX



GEARBOX OUTPUT SHAFT



KEY SPEC



32(42.5)-Table1

SIZE(mm)	GEAR RATIO
32	8GBK3BMH - 8GBK18BMH
42.5	8GBK25BMH - 8GBK360BMH

