

B AC Motors

S.C. Reversible Motor 6W (□70mm)

6W Speed Control Reversible Motor 6W(□70mm)

Motor Specification

Model 7SRDG□-6G: Gear Type Shaft 7SRDD□-6: D-Cut Type Shaft	Output W	Voltage V	Frequency Hz	Poles	Duty	Speed Range r/min	Starting Torque		Permissible Torque				Capacitor μF / VAC
							kgfcm	N.m	1200r/min		90r/min		
									kgfcm	N.m	kgfcm	N.m	kgfcm
7SRDGA-6G	6	1∅110	60	4	30min.	90-1700	0.50	0.050	0.58	0.058	0.43	0.043	3.0 / 250
7SRDGD-6G	6	1∅220	60	4	30min.	90-1700	0.51	0.051	0.56	0.056	0.42	0.042	1.0 / 450
7SRDGE-6G	6	1∅220	50	4	30min.	90-1400	0.35	0.035	0.35	0.035	0.22	0.022	0.8 / 450
		0.42					0.042	0.45	0.045	0.22	0.022		

- 1) Enter the phase & voltage code in the in the box (□) within the motor model name.
- 2) All models contain a built-in thermal protector.
- 3) Gear Type Shaft are for attaching Gearbox and D-Cut Type Shaft are for using motor only.

Max. Permissible Torque at Output Shaft of Gearbox

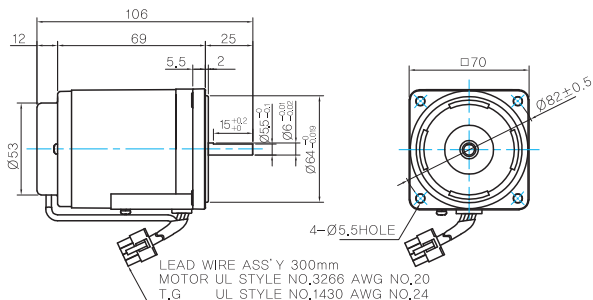
Motor Model	Gearbox Model	r/min	V	Hz	Gear Ratio	3	3.6	6	7.5	9	12.5	15	18	25	30	36	50	60	75	90	100	120	150	180	
7SRDG□-6G	7GBK□BMH	1200	110	60	kgfcm	1.4	1.7	2.9	3.6	4.3	6.0	7.2	8.7	10.9	13.1	14.2	19.7	23.7	29.6	35.5	39.4	47.3	50.0	50.0	
					N.m	0.14	0.17	0.28	0.35	0.42	0.59	0.71	0.85	1.07	1.28	1.39	1.93	2.32	2.90	3.48	3.87	4.64	4.90	4.90	
			220/240	50	kgfcm	1.1	1.3	2.2	2.8	3.4	4.7	5.6	6.7	8.4	10.1	11.0	15.3	18.4	23.0	27.5	30.6	36.7	45.9	50.0	
					N.m	0.11	0.13	0.22	0.27	0.33	0.46	0.55	0.66	0.83	0.99	1.08	1.50	1.80	2.25	2.70	3.00	3.60	4.50	4.90	
			90	110	60	kgfcm	1.1	1.3	2.1	2.7	3.2	4.5	5.4	6.4	8.1	9.7	10.5	14.6	17.5	21.9	26.3	29.2	35.1	43.9	50.0
						N.m	0.10	0.13	0.21	0.26	0.31	0.44	0.52	0.63	0.79	0.95	1.03	1.43	1.72	2.15	2.58	2.87	3.44	4.30	4.90
		220/240		50	kgfcm	1.0	1.3	2.1	2.6	3.1	4.4	5.2	6.3	7.9	9.5	10.3	14.3	17.1	21.4	25.7	28.6	34.3	42.8	50.0	
					N.m	0.10	0.12	0.20	0.26	0.31	0.43	0.51	0.61	0.77	0.93	1.01	1.40	1.68	2.10	2.52	2.80	3.36	4.20	4.90	
		220/240		50	kgfcm	0.5	0.7	1.1	1.4	1.6	2.3	2.7	3.3	4.1	5.0	5.4	7.5	9.0	11.2	13.5	15.0	18.0	22.4	26.9	
					N.m	0.05	0.06	0.11	0.13	0.16	0.22	0.27	0.32	0.40	0.49	0.53	0.73	0.88	1.10	1.32	1.47	1.76	2.20	2.64	

- 1) Enter the phase & voltage code in the box (□) within the motor model name.
- 2) Enter the gear ratio in the box (□) within the Gearbox model name.
- 3) A colored background indicates gear shaft rotation in the same direction as the motor shaft; a white background indicates rotation in the opposite direction.
- 4) The rotating speed is calculated by dividing the motor's synchronous speed (50Hz: 1,500r/min, 60Hz: 1,800r/min) by the gear ratio.
The actual speed is 2-20% less than the displayed value, depending on the size of the load.

Dimensions

MOTOR ONLY

● MOTOR MODEL: 7SRDD□-6 (NO FAN)



MOTOR OUTPUT SHAFT

MODEL	SPEC
D-CUT TYPE	

