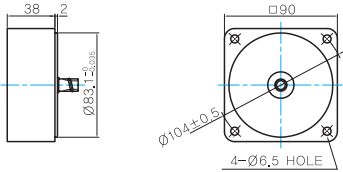


INTER-DECIMAL GEARBOX

● MODEL: 9XD10□□



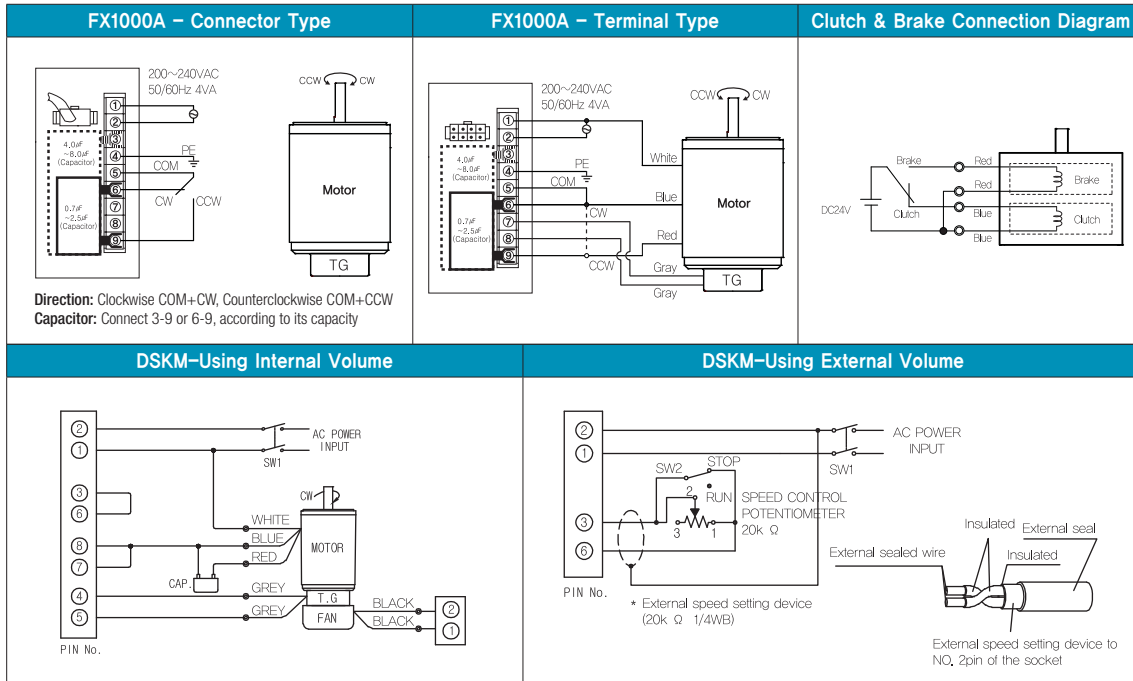
WEIGHT

PART	WEIGHT(Kg)	
MOTOR	2,7	
CLUTCH & BRAKE	1,35	
GEAR BOX	9PB(F)K2BH - 9PB(F)K18BH	1,3
	9PB(F)K20BH - 9PB(F)K200B	1,4
	9XD10□□	0,5

Motor Images



Connection Diagrams



- 1) At first connect the speed controller with the motor as instructed in connection diagrams. And then input the external power to both of the terminal 'AC' for the rated speed operation. Now you can adjust the main volume to control the output speed of motor.
- 2) The direction of motor rotation is as viewed from the shaft end of the motor.
- 3) CW represents the clockwise direction, while CCW represents the counterclockwise direction.
- 4) When using powerful fan (F2 type) attached motor, connect two black wires of the fan to No.1 and No.2 terminals in order to supply power.