

B AC Motors

S.C. Induction Motor 15W (□70mm)

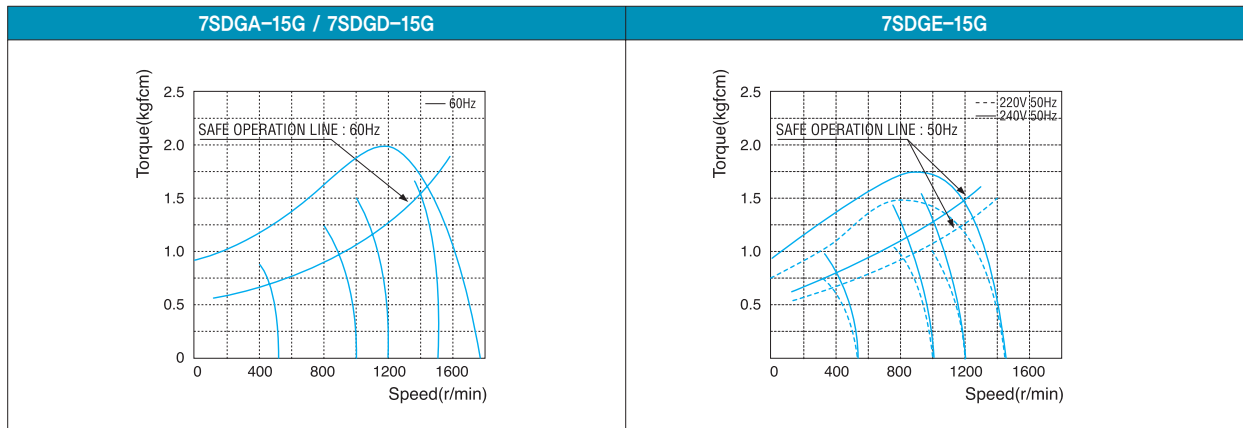
15W Speed Control Induction Motor 15W(□70mm)

Motor Specification

Model 7SDG□-15G: Gear Type Shaft 7SDD□-15: D-Cut Type Shaft	Output W	Voltage V	Frequency Hz	Poles	Duty	Speed Range r/min	Starting Torque		Permissible Torque				Capacitor μF / VAC
							kgfcm	N.m	1200r/min		90r/min		
									kgfcm	N.m	kgfcm	N.m	
7SDGA-15G	15	1∅110	60	4	Cont.	90-1700	0.67	0.067	1.13	0.113	0.58	0.058	3.5 / 250
7SDGD-15G	15	1∅220	60	4	Cont.	90-1700	1.00	0.100	1.18	0.118	0.63	0.063	1.2 / 450
7SDGE-15G	15	1∅220	50	4	Cont.	90-1400	0.80	0.080	1.05	0.105	0.50	0.050	1.0 / 450
		1∅240					1.00	0.100	1.25	0.125	0.60	0.060	

- 1) Enter the phase & voltage code in the in the box (□) within the motor model name.
- 2) All models contain a built-in thermal protector.
- 3) Gear Type Shaft are for attaching Gearbox and D-Cut Type Shaft are for using motor only.

Speed-Torque Characteristics



Max. Permissible Torque at Output Shaft of Gearbox

Motor Model	Gearbox Model	r/min	V	Hz	Gear Ratio	3	3.6	6	7.5	9	12.5	15	18	25	30
7SDG□-15G	7GBK□BMH	1200	110	60	kgfcm	2.8	3.4	5.6	7.0	8.4	11.7	14.1	16.9	21.2	25.4
					N.m	0.28	0.33	0.55	0.69	0.83	1.15	1.38	1.65	2.08	2.49
			220	60	kgfcm	2.9	3.5	5.9	7.3	8.8	12.2	14.7	17.6	22.1	26.6
					N.m	0.29	0.35	0.58	0.72	0.86	1.20	1.44	1.73	2.17	2.60
			220/240	50	kgfcm	3.1	3.7	6.2	7.8	9.3	13.0	15.6	18.7	23.4	28.1
					N.m	0.31	0.37	0.61	0.76	0.92	1.27	1.53	1.83	2.30	2.76
		90	110	60	kgfcm	1.4	1.7	2.9	3.6	4.3	6.0	7.2	8.7	10.9	13.1
					N.m	0.14	0.17	0.28	0.35	0.42	0.59	0.71	0.85	1.07	1.28
			220	60	kgfcm	1.6	1.9	3.1	3.9	4.7	6.5	7.8	9.4	11.8	14.2
					N.m	0.15	0.18	0.31	0.38	0.46	0.64	0.77	0.92	1.16	1.39
			220/240	50	kgfcm	1.5	1.8	3.0	3.7	4.5	6.2	7.5	9.0	11.3	13.5
					N.m	0.15	0.18	0.29	0.37	0.44	0.61	0.73	0.88	1.10	1.32

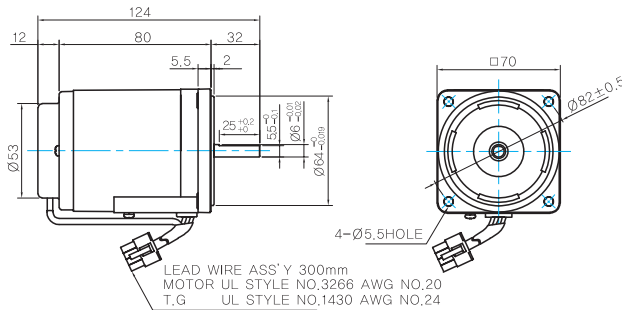
Motor Model	Gearbox Model	r/min	V	Hz	Gear Ratio	36	50	60	75	90	100	120	150	180	
7SDG□ -15G	7GBK□BMH	1200	110	60	kgfcm	27.7	38.4	46.1	50.0	50.0	50.0	50.0	50.0	50.0	
					N.m	2.71	3.77	4.52	4.90	4.90	4.90	4.90	4.90		
			220	60	kgfcm	28.9	40.1	48.1	50.0	50.0	50.0	50.0	50.0	50.0	50.0
		N.m			2.83	3.93	4.72	4.90	4.90	4.90	4.90	4.90	4.90		
		90	110	60	kgfcm	30.6	42.5	50.0	50.0	50.0	50.0	50.0	50.0	50.0	50.0
					N.m	3.00	4.17	4.90	4.90	4.90	4.90	4.90	4.90	4.90	
220	60		kgfcm	14.2	19.7	23.7	29.6	35.5	39.4	47.3	50.0	50.0			
		N.m	1.39	1.93	2.32	2.90	3.48	3.87	4.64	4.90	4.90				
220/ 240	110	60	kgfcm	15.4	21.4	25.7	32.1	38.6	42.8	50.0	50.0	50.0			
			N.m	1.51	2.10	2.52	3.15	3.78	4.20	4.90	4.90				
	220/ 240	50	kgfcm	14.7	20.4	24.5	30.6	36.7	40.8	49.0	50.0	50.0			
N.m			1.44	2.00	2.40	3.00	3.60	4.00	4.80	4.90	4.90				

- 1) Enter the phase & voltage code in the box (□) within the motor model name.
- 2) Enter the gear ratio in the box (□) within the Gearbox model name.
- 3) A colored background indicates gear shaft rotation in the same direction as the motor shaft; a white background indicates rotation in the opposite direction.
- 4) The rotating speed is calculated by dividing the motor's synchronous speed (50Hz: 1,500r/min, 60Hz: 1,800r/min) by the gear ratio.
The actual speed is 2~20% less than the displayed value, depending on the size of the load.

Dimensions

MOTOR ONLY

- MOTOR MODEL: 7SDD□-15 (NO FAN)



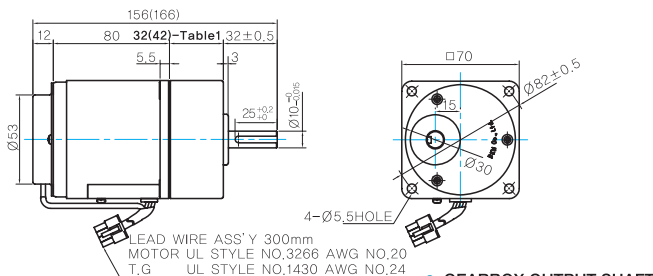
MOTOR OUTPUT SHAFT

MODEL	SPEC
D-CUT TYPE	

GEARED MOTOR

G TYPE GEARBOX

- MOTOR MODEL: 7SDG□-15G (NO FAN)
- GEARBOX MODEL: 7GBK□BMH



GEARBOX OUTPUT SHAFT

MODEL	SPEC
KEY TYPE	

WEIGHT

PART	WEIGHT(Kg)	
MOTOR	1.14	
GEAR BOX	7GBK3BMH ~ 7GBK18BMH	0.36
	7GBK25BMH ~ 7GBK30BMH	0.44
	7GBK36MH ~ 7GBK180MH	0.5

KEY SPEC

MOTOR

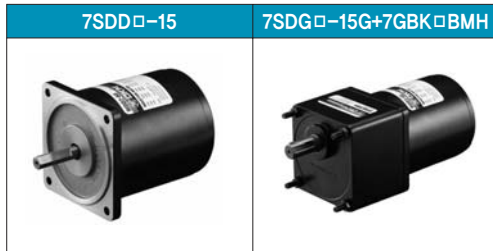
32(42)-Table1

SIZE(mm)	GEAR RATIO
32	7GBK3BMH - 7GBK18BMH
42	7GBK25BMH - 7GBK180BMH

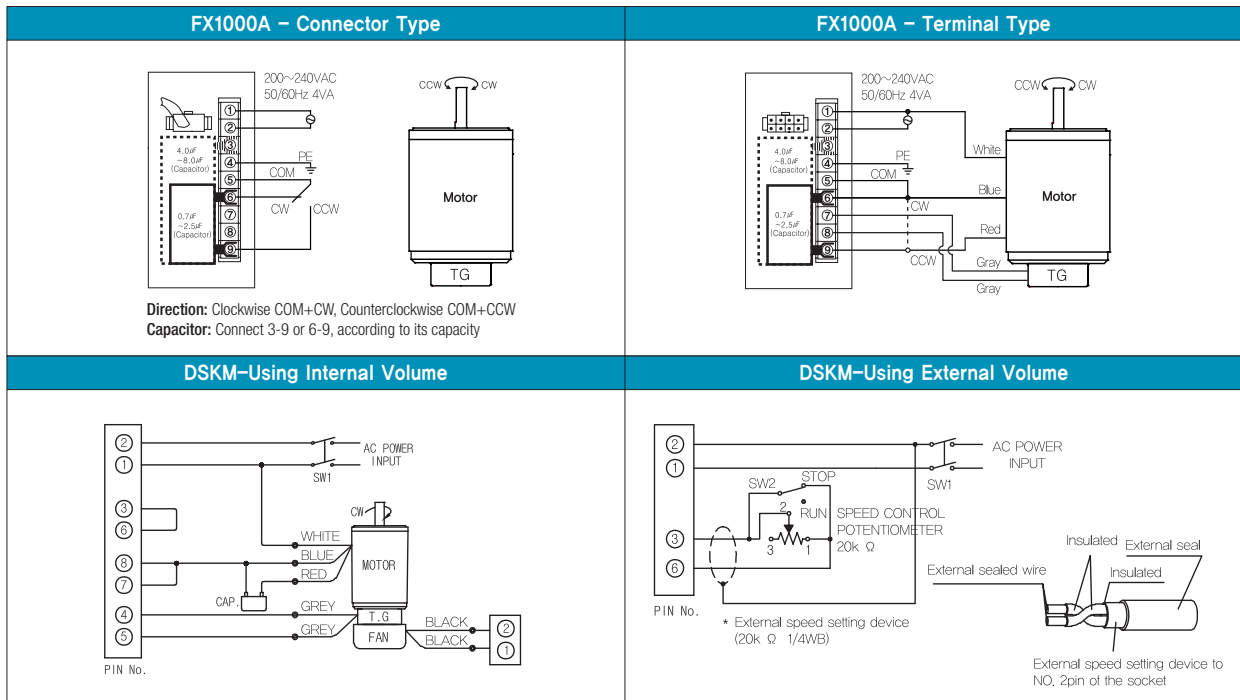
B AC Motors

S.C. Induction Motor 15W (□70mm)

Motor Images



Connection Diagrams



- 1) At first connect the speed controller with the motor as instructed in connection diagrams. And then input the external power to both of the terminal 'AC' for the rated speed operation.
 Now you can adjust the main volume to control the output speed of motor.
- 2) The direction of motor rotation is as viewed from the shaft end of the motor.
- 3) CW represents the clockwise direction, while CCW represents the counterclockwise direction.
- 4) When using powerful fan (F2 type) attached motor, connect two black wires of the fan to No.1 and No.2 terminals in order to supply power.